



Catalog
HA 40.2 ·
2022

MEDIUM-VOLTAGE SWITCHGEAR

Switchgear Type 8DJH for Secondary Distribution Systems up to 24 kV, Gas-Insulated

[siemens.com/8DJH](https://www.siemens.com/8DJH)

SIEMENS

Application

Typical uses



Application
in public
and industrial
energy systems



MEDIUM-VOLTAGE SWITCHGEAR

Switchgear Type 8DJH for Secondary Distribution Systems up to 24 kV, Gas-Insulated

Catalog HA 40.2 · 2022

Invalid: Catalog HA 40.2 · 2017

[siemens.com/medium-voltage-switchgear](https://www.siemens.com/medium-voltage-switchgear)

Contents

Page

Application

Versions	4
Typical uses, ratings, standards	5

Requirements

Features	6
Technology	7

Technical data

Switchgear, switching devices	8
Switching devices	9

Product range

Individual panels	10
Air-insulated billing metering panels type M, 840 mm wide	13
Product range overview of panel blocks (excerpt)	14

Design

Overview	18
Panel design (examples)	20
Outdoor enclosure	24

Components

Busbar extension, modularity	25
Cable connection with interface type C	26
Cable connection for transformer feeders with interface type A	27
Current transformers, voltage transformers	28
Current sensors, voltage sensors	29
SiBushing	30
Time fuse-link protection system	31
Low-voltage compartment, low-voltage niche	32

Dimensions

Room planning	33
Pressure relief	34

The products and systems described in this catalog are manufactured and sold according to a certified management system (acc. to ISO 9001, ISO 14001 and BS OHSAS 18001).

Application

Versions



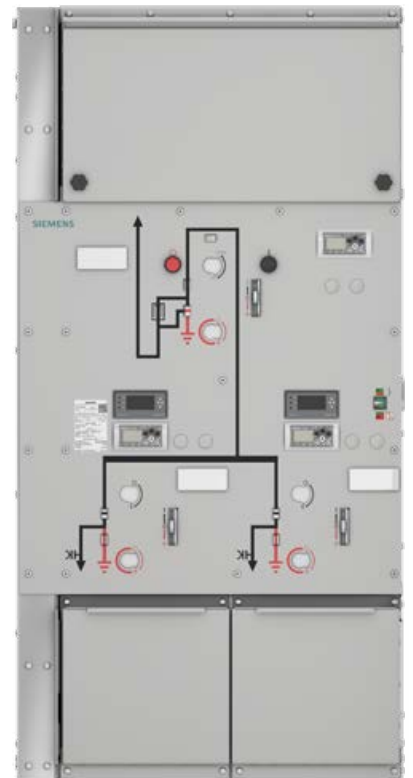
R_HA402_004.png

Individual
circuit-breaker panel 500 mm



R_HA402_002.png

RRT block



R_HA402_003.png

8DJH Compact, RRT block

Application

Typical uses, ratings, standards

8DJH switchgear is a factory-assembled, type-tested, 3-pole metal-enclosed single-busbar switchgear for indoor installation.

8DJH switchgear is used in public and industrial energy systems of the secondary distribution level, e.g. in

- Secondary transformer substations of power supply system operators
- Utilities transfer substations for business enterprises
- Installations of building supply technologies
- Water and sewage treatment plants
- Underground railway stations, railway stations, airports
- Charging stations for electric vehicles
- Generating plants for renewable energies (biomass, hydro power, wind turbines, solar parks).

Electrical data (maximum values) and dimensions						
Rated voltage	kV	7.2	12	15	17.5	24
Rated frequency	Hz	50/60	50/60	50/60	50/60	50/60
Rated short-duration power-frequency withstand voltage	kV	20 ¹⁾	28 ²⁾	36	38	50
Rated lightning impulse withstand voltage	kV	60 ¹⁾	75 ²⁾	95	95	125
Rated peak withstand current	kA	63/65	63/65	63/65	63/65	50/55
Rated short-time withstand current 3 s	kA	20/21	20/21	20/21	20/21	20/21
Rated short-time withstand current 1 s	kA	25	25	25	25	20/21
Rated continuous current of the busbar	A	630	630	630	630	630
Rated continuous current of feeders	A	200/250/400/630 ³⁾ →				
Width (feeders)	mm	310/430/500 ³⁾ →				
Depth						
– without pressure relief duct	mm	775	775	775	775	775
– with pressure relief duct	mm	890	890	890	890	890
Height without low-voltage compartment and pressure relief duct	mm	optionally 1040/1200/1400/1700				

1) 32 kV/60 kV according to some national requirements

2) 42 kV/75 kV according to some national requirements

3) Depending on the feeder function and the selected design options

Standards		IEC standard / EN standard	
Switchgear		62271-1 62271-200	
Switching devices	Circuit-breakers	62271-100	
	Disconnectors and earthing switches	62271-102	
	Switch-disconnectors	62271-103	
	Switch-fuse combination	62271-105	
Voltage detecting systems		62271-213	
HV HRC fuses		60282	
Surge arresters/surge limiters		60099	
Degree of protection		60529	
		62262	
Insulation		60071	
Instrument transformers	General requirements	61869-1	
	Current transformers	61869-2	
	Inductive voltage transformers	61869-3	
	Low-power current transformers		61869-6 61869-10
		Low-power voltage transformers	61869-6 61869-11
SF ₆		60376	
Installation		61936-1/EN 50522	
Environmental conditions		60721-3-3	
Operation		EN 50110	

Requirements

Features

Environmental independence

Hermetically tight, welded switchgear vessels made of stainless steel as well as single-pole solid insulation make the parts of the primary circuit under high voltage of 8DJH switchgear

- Insensitive to certain aggressive ambient conditions, such as:
 - Saline air
 - Air humidity
 - Dust
 - Condensation
- Tight to ingress of foreign objects, such as:
 - Dust
 - Pollution
 - Small animals
 - Humidity.

Compact design

Thanks to the use of SF₆ insulation, compact dimensions are possible. Thus:

- Existing switchgear rooms and substation rooms can be used effectively
- New constructions cost little
- Costly city-area space is saved.

Maintenance-free design

Switchgear vessels designed as sealed pressure systems, maintenance-free switching devices and enclosed cable plugs ensure:

- Maximum supply reliability
- Personnel safety
- Sealed-for-life design according to IEC 62271-200 (sealed pressure system)
- Installation, operation, extension and replacement without SF₆ gas work
- Reduced operating costs
- Cost-efficient investment
- No maintenance cycles.

Innovation

The use of digital secondary systems and combined protection and control devices ensures:

- Clear integration in process control systems
- Flexible and highly simplified adaptation to new system conditions and thus to cost-efficient operation.

Service life

Under normal service conditions, the expected service life of gas-insulated switchgear 8DJH is at least 35 years, probably 40 to 50 years, taking the tightness of the hermetically welded switchgear vessel into account. The service life is limited by the maximum number of operating cycles of the switchgear devices installed:

- For circuit-breakers, according to the endurance class defined in IEC 62271-100
- For three-position disconnectors and earthing switches, according to the endurance class defined in IEC 62271-102
- For three-position switch-disconnectors and earthing switches, according to the endurance class defined in IEC 62271-103.

Personal safety

- Safe-to-touch and hermetically sealed primary enclosure
- Standard degree of protection IP65 for all high-voltage parts in the switchgear vessel, at least IP2X for the switchgear enclosure according to IEC 60529
- All high-voltage parts including the cable terminations, busbars and voltage transformers are metal-enclosed and/or provided with earthed layers
- Panels tested for resistance to internal faults up to 21 kA
- Capacitive voltage detecting system to verify safe isolation from supply
- Logical mechanical interlocks prevent maloperation
- HV HRC fuses and cable compartments are only accessible when outgoing feeders are earthed
- Feeder earthing via make-proof earthing switches.

Security of operation

- Hermetically sealed primary enclosure independent of environmental effects (pollution, humidity and small animals)
- Welded switchgear vessels, sealed for life
- Maintenance-free in an indoor environment (IEC 62271-1)
- Operating mechanisms of switching devices and auxiliary switches accessible outside the primary enclosure (switchgear vessel)
- Metal-coated, plug-in inductive voltage transformers mounted outside the switchgear vessel
- Current transformers as ring-core current transformers mounted outside the switchgear vessel
- Complete switchgear interlocking system with logical interlocks
- Mechanical position indicators integrated in the mimic diagram
- Minimum fire load
- Option: Resistance against earthquakes.

Reliability

- Type and routine-tested
- Standardized and manufactured using numerically controlled machines
- Quality assurance in accordance with DIN EN ISO 9001
- More than 1,500,000 switchgear panels of Siemens in operation worldwide for many years.

General

- Panels 3-pole metal-enclosed
- High-voltage compartments with metal partitions
- Hermetically tight, welded switchgear vessel made of stainless steel, with welded-in bushings for electrical connections and mechanical components
- Frame made of sendzimir-galvanized sheet steel
- Front covers and doors of low-voltage compartments powder-coated in color RAL 7035 (light gray)
- Functions as individual panels or combined in a panel block with up to four functions in a common switchgear vessel
- Switching devices 3-pole, fixed-mounted, depending on the function
 - Three-position switch-disconnector
 - Three-position switch-disconnector/fuse combination
 - Vacuum circuit-breaker with three-position disconnector
 - Make-proof earthing switch
- Cable connection with outside-cone plug-in system according to DIN EN 50181
 - In ring-main and circuit-breaker feeders with bolted contact (M16)
 - In transformer feeders with plug-in contact or optionally with bolted contact (M16)
- Wall-standing or free-standing arrangement
- Pressure relief downwards, optionally to the rear or upwards via pressure absorber systems.

Interlocks

- According to IEC 62271-200
- Logical mechanical interlocks and the constructive features of the three-position switches prevent maloperation as well as access to the cable connection of the feeders and HV HRC fuses under voltage
- Impermissible and undesired operations can be prevented by means of locking devices provided at the switching devices.

Insulating system

- Switchgear vessel filled with SF₆ gas
- Features of SF₆ gas:
 - Non-toxic
 - Odorless and colorless
 - Non-inflammable
 - Chemically neutral
 - Heavier than air
 - Electronegative (high-quality insulator)
 - Global Warming Potential GWP = 22,800
- Pressure of SF₆ gas in the switchgear vessel (absolute values at 20 °C):
 - Rated filling level: 150 kPa
 - Design pressure: 180 kPa
 - Design temperature of the SF₆ gas: 80 °C
 - Operating pressure of bursting disc: ≥ 300 kPa
 - Bursting pressure: ≥ 550 kPa
 - Gas leakage rate: < 0.1 % per year.

Modular design

- Individual panels and panel blocks can be lined up and optionally extended – without gas work on site
- Option: Low-voltage compartment available in 4 overall heights. Installation and removal possible on site, wiring to the panel via plug connections.

Instrument transformers

- Ring-core current transformers not subjected to dielectric stress
- Metal-coated voltage transformers, plug-in type
- In the air-insulated metering panel:
Cast-resin insulated block-type current and voltage transformers (narrow design according to DIN 42600 Part 8 or Part 9)
- Replacement of instrument transformers without gas work, as they are located outside the switchgear vessel.

Sensors

- Current sensor as inductive current transformer in combination with precision shunt (voltage signal)
- Voltage sensor as resistor divider
- In combination with secondary devices such as
 - SICAM FCM
 - 7SJ81.

Vacuum circuit-breaker

- Maintenance-free under normal ambient conditions according to IEC 62271-1
- No relubrication or readjustment
- Up to 10,000 operating cycles
- Vacuum-tight for life.

Secondary systems

- Customary protection, measuring and control equipment
- Option: Numerical multifunction protection relay with integrated protection, control, communication, operating and monitoring functions
- Can be integrated in process control systems.

Recycling

The switchgear can be recycled in ecological manner in compliance with existing legislation. Auxiliary devices such as short-circuit indicators have to be recycled as electronic scrap. Batteries have to be recycled professionally. Insulating gas SF₆ has to be evacuated professionally as a reusable material and recycled (SF₆ must not be released into the environment).

Technical data

Switchgear, switching devices

Electrical data of the switchgear									
Rated insulation level	Rated voltage U_r	kV	7.2	12	15	17.5	24		
	Rated short-duration power-frequency withstand voltage U_d :								
	– phase-to-phase, phase-to-earth, open contact gap	kV	20	28/42 ¹⁾	36	38	50		
	– across the isolating distance	kV	23	32/48 ¹⁾	39	45	60		
	Rated lightning impulse withstand voltage U_p :								
– phase-to-phase, phase-to-earth, open contact gap	kV	60	75	95	95	125			
– across the isolating distance	kV	70	85	110	110	145			
Rated frequency f_r		Hz	50/60						
Rated continuous current I_r ²⁾	for busbar	A	630						
	for ring-main and cable feeders		400 or 630						
	for circuit-breaker feeders	A	250 or 630						
	for transformer feeders	A	Depending on the HV HRC fuse-link						
50 Hz Rated short-time withstand current I_k	for switchgear with $t_k = 1$ s	up to kA	25	25	25	25	20/21 ¹⁾		
	for switchgear with $t_k = 3$ s ¹⁾	up to kA	20/21 ¹⁾						
Rated peak withstand current I_p		up to kA	63	63	63	63	50/52.5 ¹⁾		
60 Hz Rated short-time withstand current I_k	for switchgear with $t_k = 1$ s	up to kA	25	25	25	25	20/21 ¹⁾		
	for switchgear with $t_k = 3$ s ¹⁾	up to kA	20/21 ¹⁾						
Rated peak withstand current I_p		up to kA	65	65	65	65	52/55 ¹⁾		
Filling level (pressure values at 20 °C)	Rated filling level p_{re} (absolute)	kPa	150						
	Minimum functional level p_{me} (absolute)	kPa	130						
Ambient air temperature T ³⁾	Operation	standard	°C	–25 to +55					
		on request	°C	–40 to +70					
	Storage/transport	standard	°C	–25 to +55					
		on request	°C	–40 to +70					
Degree of protection	for gas-filled switchgear vessel		IP65						
	for switchgear enclosure		IP2X/IP3X ¹⁾						
	for low-voltage compartment		IP3X/IP4X ¹⁾						
Partition class			PM						
Loss of service continuity category	Feeder panels with (switch-)disconnecter		LSC2						
	Billing metering panel M, cable feeder K		LSC1						
Accessibility to compartments (enclosure)	Busbar compartment		Non-accessible						
	Switching-device compartment		Non-accessible						
	Cable compartment / HV HRC fuse compartment	– Feeder panels with switching device		Interlock-controlled					
		– Billing metering panel M, cable feeder K		Tool-based					
Internal arc classification ⁴⁾ (option)	IAC A								
	Accessibility F, FL or FLR								
	Arc test current I_A	up to kA	21						
	Test duration t_A	s	1						

Three-position switch-disconnector										
Rated voltage U_r			kV	7.2	12	15	17.5	24		
General-purpose switch function	Rated mainly active load breaking current I_{load}	A	630							
	Rated short-circuit making current I_{ma}	50 Hz	up to kA	63	63	63	63	50/52.5 ¹⁾		
		60 Hz	up to kA	65	65	65	65	52/55 ¹⁾		
	Electrical endurance	Class	E3							
	Number of electrical operating cycles with I_{load}	n	100							
	Number of short-circuit making operations with I_{ma}	n	5							
	Capacitive switching	Class	C2							
	Mechanical endurance	Class	M1							
	Number of mechanical operating cycles	n	1000							
	Disconnecter function	Mechanical endurance	Class	M0						
Number of mechanical operating cycles		n	1000							

1) Design option

2) The rated continuous currents apply to ambient air temperatures of max. 40 °C. The 24-hour mean value is max. 35 °C (according to IEC 62271-1)

3) Minimum and maximum permissible ambient air temperature depending on the secondary equipment used

4) Description of the design options as of page 34

Three-position switch-disconnector (Continued)									
Rated voltage U_r				kV	7.2	12	15	17.5	24
Make-proof earthing switch function	Rated short-circuit making current I_{ma}	50 Hz	up to kA	63	63	63	63	63	50/52.5 ¹⁾
		60 Hz	up to kA	65	65	65	65	65	52/55 ¹⁾
	Number of short-circuit making operations with I_{ma}		n	5					
	Mechanical endurance		Class	M0					
Number of mechanical operating cycles		n	1000						

Three-position switch-disconnector/fuse combination									
Rated voltage U_r				kV	7.2	12	15	17.5	24
Switch function	Rated mainly active load breaking current I_{load}		A	200					
	Rated short-circuit making current I_{ma}	50 Hz	up to kA	63	63	63	63	63	50/52.5 ¹⁾
		60 Hz	up to kA	65	65	65	65	65	52/55 ¹⁾
	Number of operating cycles, electrical with I_{load}		n	100					
	Number of short-circuit making operations with I_{ma}		n	5					
	Mechanical endurance		Class	M1					
Switch-fuse combination function	Rated transfer current $I_{transfer}$		A	1500	1500	1300	1300	1300	
	Maximum permissible rated power S_r of the transformer ⁵⁾		up to kVA	250 to 800	1250	1250	1250	1250	2000
	Mechanical endurance		Class	M0					
Disconnecter function	Number of mechanical operating cycles		n	1000					
	Make-proof earthing switch function	Rated short-circuit making current I_{ma}	50 Hz	up to kA	6.3				
60 Hz			up to kA	6.5					
Number of short-circuit making operations with I_{ma}		n	5						
Mechanical endurance		Class	M1						
Number of mechanical operating cycles		n	1000						

Vacuum circuit-breaker with three-position disconnector									
Rated voltage U_r				kV	7.2	12	15	17.5	24
Circuit-breaker type 1.1 function	Rated operating sequence				O – 0.3 s – CO – 3 min – CO				
	Option				O – 0.3 s – CO – 15 s – CO				
	Rated short-circuit breaking current I_{sc}		up to kA	25	25	25	25	25	20/21 ¹⁾
	Electrical endurance		Class	E2					
	Number of short-circuit breaking operations with I_{sc}		n	25 or 50					
	Capacitive switching		Class	C2					
	Switching of cable systems		Class	S1					
	Mechanical endurance		Class	M2					
	Number of mechanical operating cycles		n	10000					
	Circuit-breaker type 2 function (alternatively)	Rated operating sequence				O – 3 min – CO – 3 min – CO			
Rated short-circuit breaking current I_{sc}		up to kA	25	25	25	25	25	20/21 ¹⁾	
Electrical endurance		Class	E2						
Number of short-circuit breaking operations with I_{sc}		n	6 or 20						
Capacitive switching		Class	C2						
Switching of cable systems		Class	S1						
Mechanical endurance		Class	M1						
Number of mechanical operating cycles		n	2000						
Disconnecter function	Mechanical endurance		Class	M0					
	Number of mechanical operating cycles		n	1000					
Make-proof earthing switch function	Rated short-circuit making current I_{ma}	50 Hz	up to kA	63	63	63	63	63	50/52.5 ¹⁾
		60 Hz	up to kA	65	65	65	65	65	52/55 ¹⁾
	Number of short-circuit making operations with I_{ma}		n	5					
	Mechanical endurance		Class	M0					
Number of mechanical operating cycles		n	1000						

Make-proof earthing switch									
Rated voltage U_r				kV	7.2	12	15	17.5	24
	Rated short-circuit making current I_{ma}	50 Hz	up to kA	63	63	63	63	63	50/52.5 ¹⁾
		60 Hz	up to kA	65	65	65	65	65	52/55 ¹⁾
	Number of short-circuit making operations with I_{ma}		n	5					
	Mechanical endurance		Class	M0					
Number of mechanical operating cycles		n	1000						

1) Design option

5) Depending on the primary voltage of the transformer and the HV HRC fuses used

Product range

Individual panels



Three-position switch-disconnector



Make-proof earthing switch



HV HRC fuse



Capacitive voltage detecting system



Cable connection with outside cone (not included in the scope of supply)



Surge arrester or limiter



Ring-core current transformer



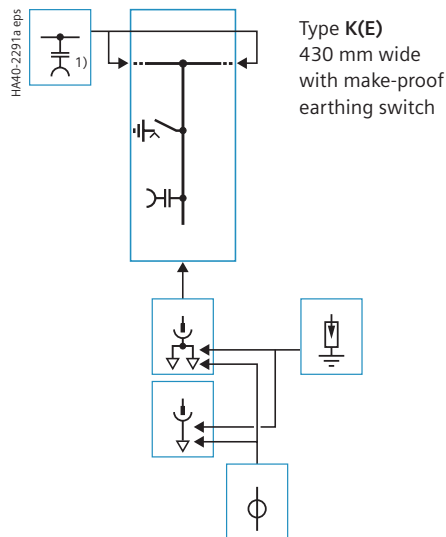
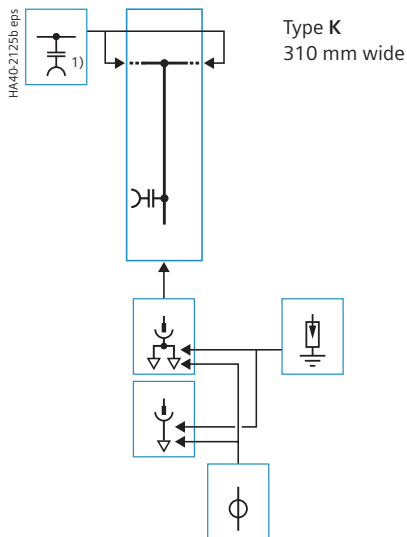
Plug-in voltage transformer



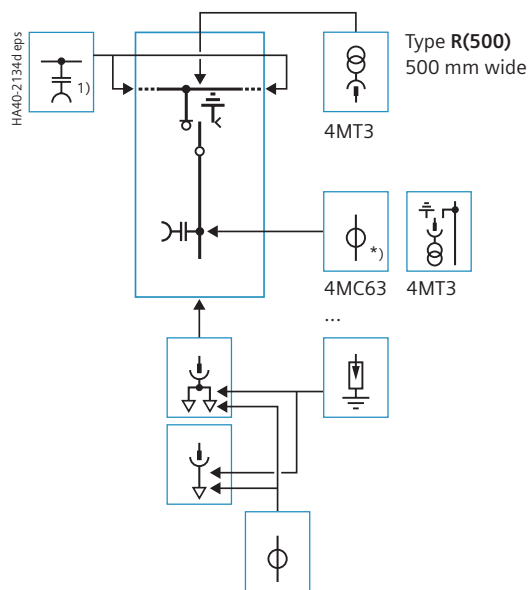
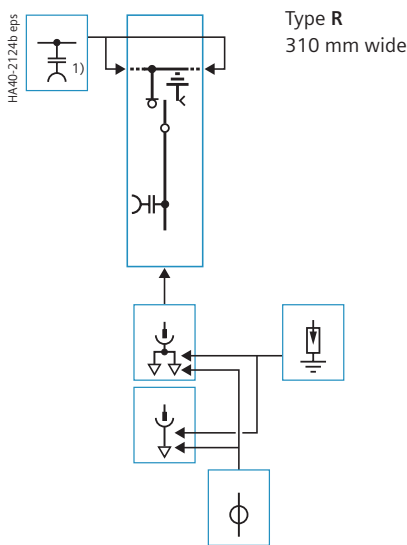
Plug-in voltage transformer with earthing device

1) Only for end panel, on the free connection side of the busbar

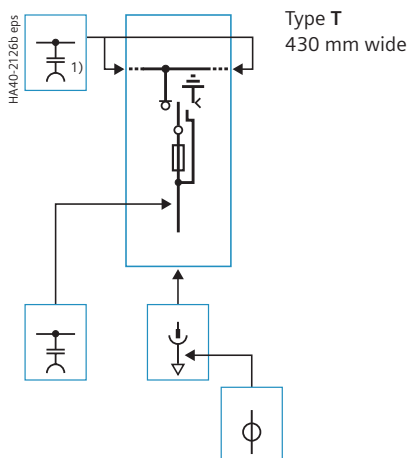
Cable feeder



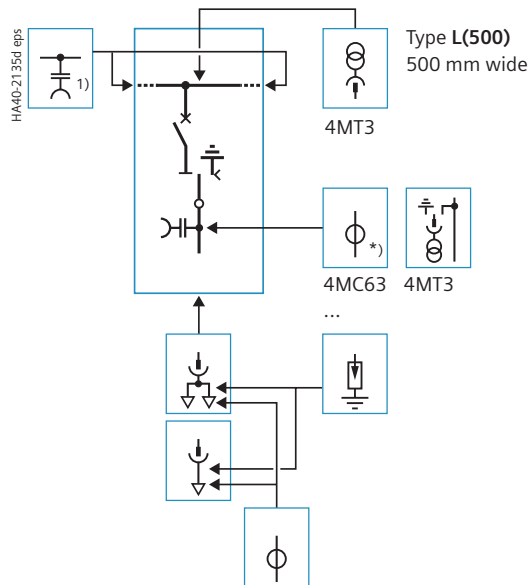
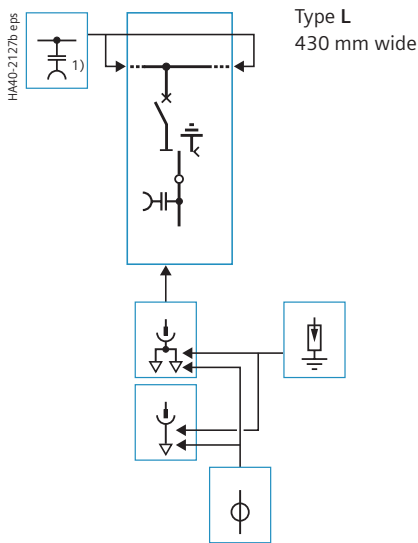
Ring-main feeder



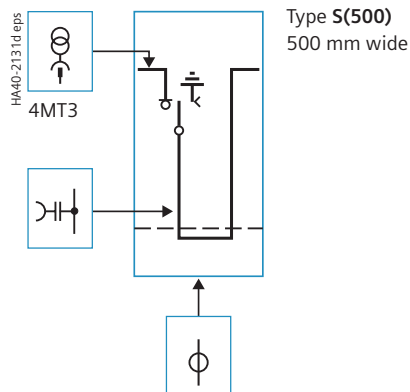
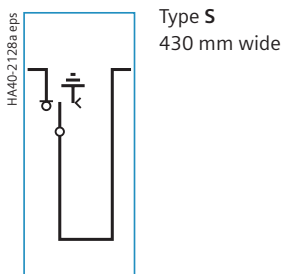
Transformer feeder



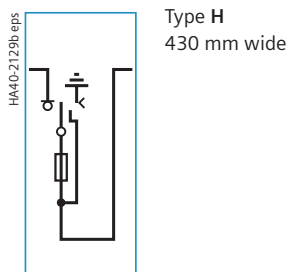
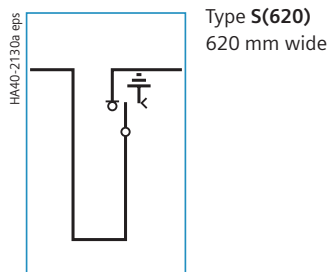
Circuit-breaker feeder



Bus sectionalizer panel



Bus sectionalizer panel



Vacuum circuit-breaker



Three-position disconnecter



Three-position switch-disconnector



HV HRC fuse



Capacitive voltage detecting system



Cable connection with outside cone (not included in the scope of supply)



Surge arrester or limiter



Ring-core current transformer



Plug-in voltage transformer



Plug-in voltage transformer with earthing device

1) Only for end panel, on the free connection side of the busbar

Product range

Individual panels



Vacuum circuit-breaker



Three-position disconnector



Make-proof earthing switch



HV HRC fuse



Capacitive voltage detecting system



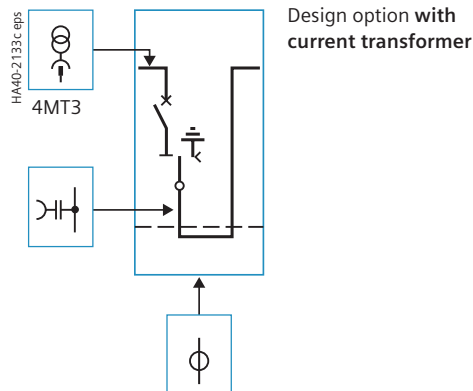
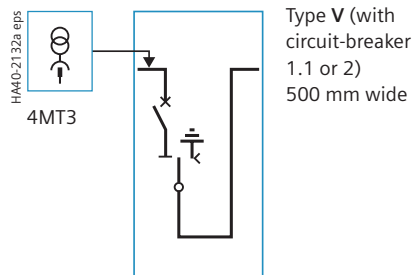
Ring-core current transformer



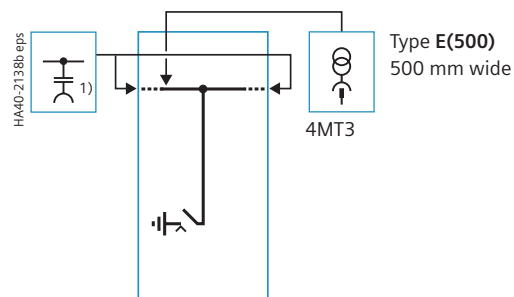
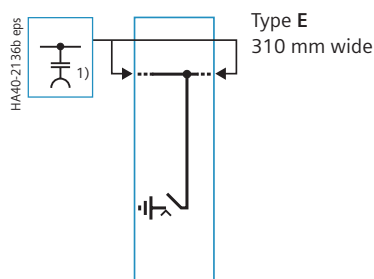
Plug-in voltage transformer

1) Only for end panel, on the free connection side of the busbar

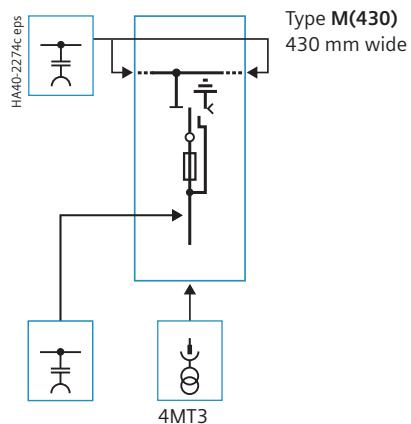
Bus sectionalizer panel with circuit-breaker



Busbar earthing panel



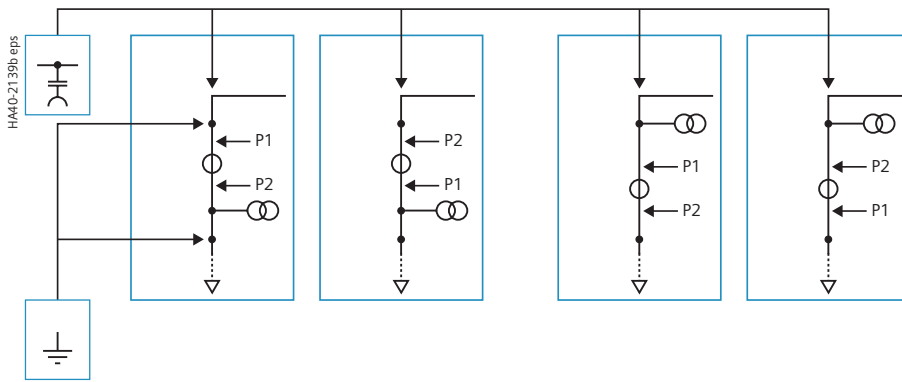
Primary fuse-protected busbar voltage metering panel



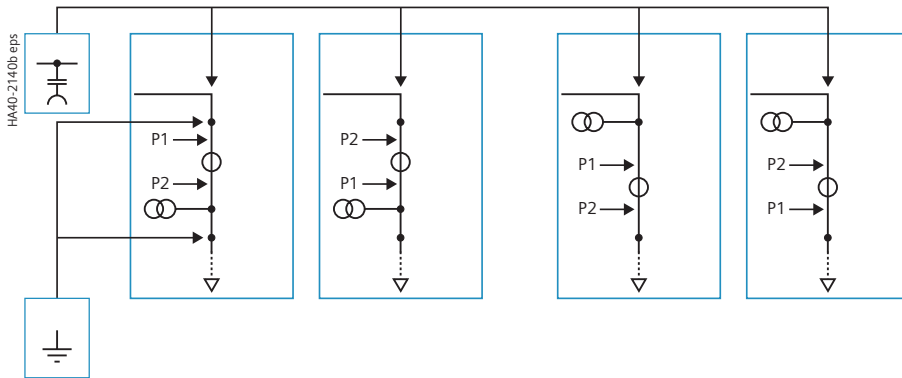
Product range

Air-insulated billing metering panels type M, 840 mm wide

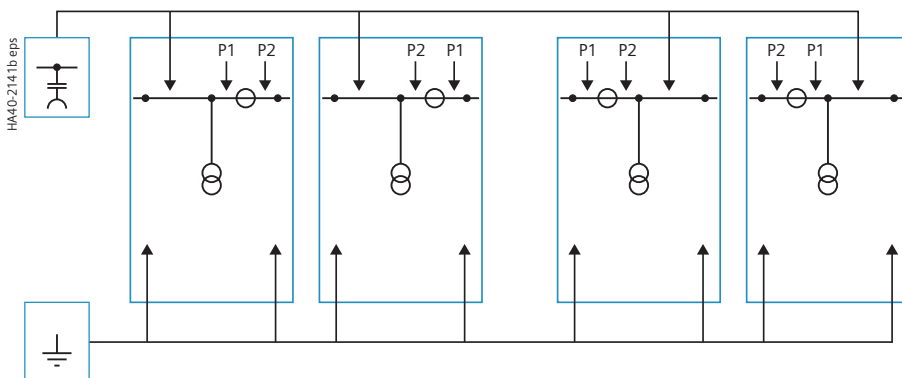
Billing metering panels with cable connection on the left



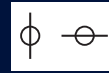
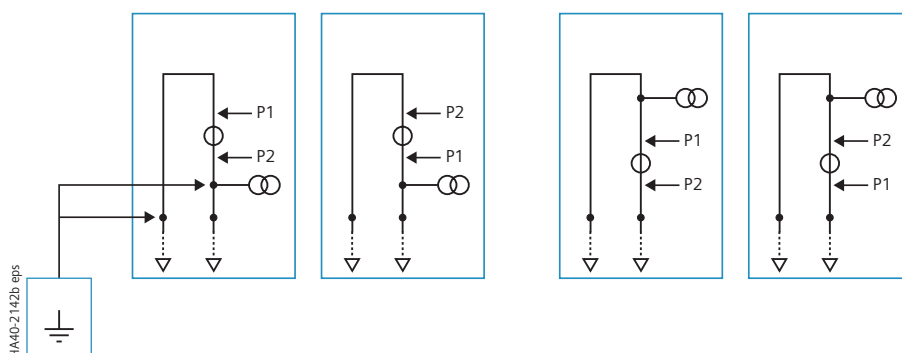
Billing metering panels with cable connection on the right



Billing metering panels with busbar connection on both sides



Billing metering panels with cable connection on both sides



Current transformer, cast-resin insulated



Voltage transformer, cast-resin insulated



Capacitive voltage detecting system



Fixed earthing points for busbar earthing

P1 and P2 are terminal designations of the current transformer

Product range

Product range overview of panel blocks (excerpt)



Vacuum circuit-breaker



Three-position disconnecter



Three-position switch-disconnector



Make-proof earthing switch



HV HRC fuse



Capacitive voltage detecting system



Cable connection with outside cone (not included in the scope of supply)

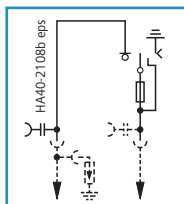


Surge arrester

2-panel blocks for 8DJH, optionally with busbar extension

Components shown in dotted lines can be used optionally.

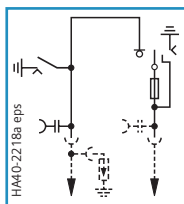
KT 1 transformer feeder, 1 cable feeder



Dimensions in mm

Width	Depth	Height
740	775	1200
		1400
		1700

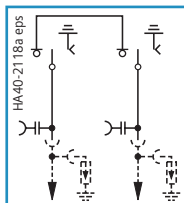
K(E)T 1 transformer feeder, 1 cable feeder with make-proof earthing switch



Dimensions in mm

Width	Depth	Height
860	775	1200
		1400
		1700

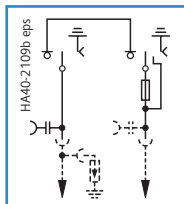
RR 2 ring-main feeders



Dimensions in mm

Width	Depth	Height
620	775	1040
		1200
		1400
		1700

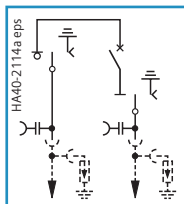
RT 1 ring-main feeder, 1 transformer feeder



Dimensions in mm

Width	Depth	Height
740	775	1040
		1200
		1400
		1700

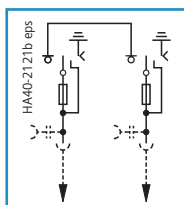
RL 1 ring-main feeder, 1 circuit-breaker feeder



Dimensions in mm

Width	Depth	Height
740	775	1200
		1400
		1700

TT 2 transformer feeders



Dimensions in mm

Width	Depth	Height
860	775	1200
		1400
		1700

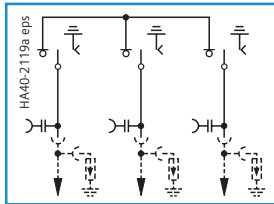
Product range

Product range overview of panel blocks (excerpt)

3-panel blocks for 8DJH, optionally with busbar extension

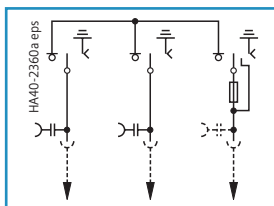
Components shown in dotted lines can be used optionally.

RRR 3 ring-main feeders



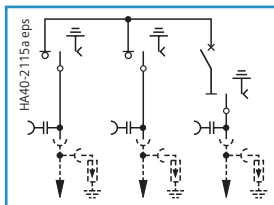
Dimensions in mm		
Width	Depth	Height
930	775	1040
		1200
		1400
		1700

RRT 2 ring-main feeders, 1 transformer feeder



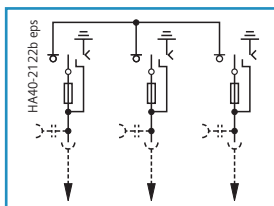
Dimensions in mm		
Width	Depth	Height
1050	775	1040
		1200
		1400
		1700

RRL 2 ring-main feeders, 1 circuit-breaker feeder



Dimensions in mm		
Width	Depth	Height
1050	775	1200
		1400
		1700

TTT 3 transformer feeders



Dimensions in mm		
Width	Depth	Height
1290	775	1200
		1400
		1700



Vacuum circuit-breaker



Three-position disconnecter



Three-position switch-disconnector



HV HRC fuse



Capacitive voltage detecting system



Cable connection with outside cone (not included in the scope of supply)



Surge arrester

Product range

Product range overview of panel blocks (excerpt)



Vacuum circuit-breaker



Three-position disconnecter



Three-position switch-disconnector



HV HRC fuse



Capacitive voltage detecting system



Cable connection with outside cone (not included in the scope of supply)

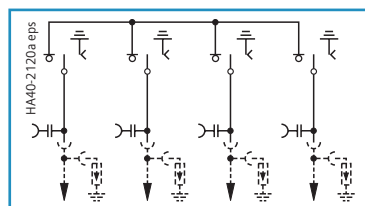


Surge arrester

4-panel blocks for 8DJH, optionally with busbar extension

Components shown in dotted lines can be used optionally.

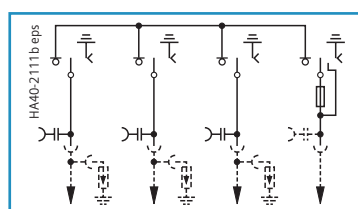
RRRR 4 ring-main feeders



Dimensions in mm

Width	Depth	Height
1240	775	1200
		1400
		1700

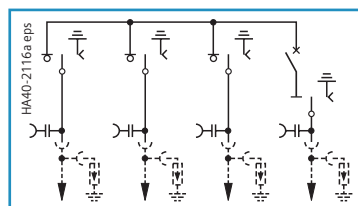
RRRT 3 ring-main feeders, 1 transformer feeder



Dimensions in mm

Width	Depth	Height
1360	775	1200
		1400
		1700

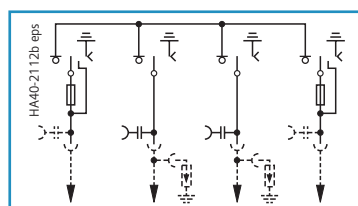
RRRL 3 ring-main feeders, 1 circuit-breaker feeder



Dimensions in mm

Width	Depth	Height
1360	775	1200
		1400
		1700

TRRT 2 ring-main feeders, 2 transformer feeders



Dimensions in mm

Width	Depth	Height
1480	775	1200
		1400
		1700

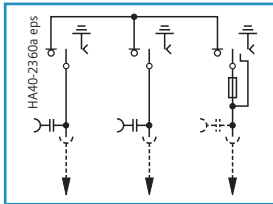
Product range

Product range overview of panel blocks (excerpt)

Panel blocks for 8DJH Compact, without busbar extension

Components shown in dotted lines can be used optionally.

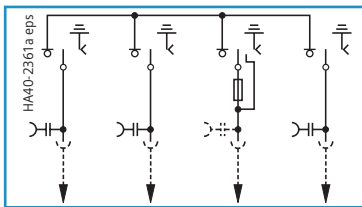
RRT 2 ring-main feeders, 1 transformer feeder



Dimensions in mm

Width ¹⁾	Depth	Height
620	775	1400
		1700
700	775	1400
		1700

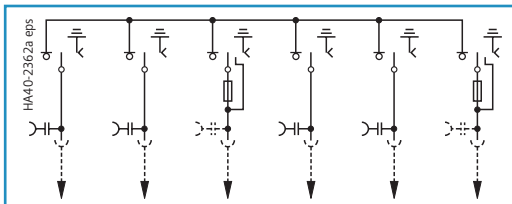
RRT-R 3 ring-main feeders, 1 transformer feeder



Dimensions in mm

Width ¹⁾	Depth	Height
930	775	1400
		1700
1010	775	1400
		1700

RRT-RRT 4 ring-main feeders, 2 transformer feeders



Dimensions in mm

Width ¹⁾	Depth	Height
1240	775	1400
		1700
1400	775	1400
		1700



Three-position switch-disconnector



HV HRC fuse



Capacitive voltage detecting system



Cable connection with outside cone (not included in the scope of supply)

¹⁾ The width of the panel blocks depends on the selected pressure relief option. Description of the design options as of page 34.

Design

Overview



1 Wiring duct, low-voltage compartment

- Metallic wiring duct (option) on the switchgear for panel-overlapping secondary wiring
- Alternatively, low-voltage compartments (option) in different heights of 200 mm, 400 mm, 600 mm, or 900 mm for customer-specific secondary equipment

2 Busbar extension, modularity

- Busbar extension as an ordering option
- Plug-in unit consisting of contact coupling and screened silicone coupling
- Insensitive to pollution and condensation
- Switchgear installation, extension, or panel replacement without gas work

3 Indicators

- Voltage detecting systems, short-circuit/earth-fault indicators and transformer monitors from various manufacturers

4 Ring-main feeder

- Switching functions as general-purpose switch-disconnector according to IEC 62271-103 and IEC 62271-102
- Designed as a three-position switch incorporating the functions of a switch-disconnector and a make-proof earthing switch
- Switch positions: CLOSED – OPEN – EARTHED
- Manual operating mechanism, optionally motor operating mechanism

5 Transformer feeder

- High-voltage switch-fuse combination according to IEC 62271-105
- Designed as a three-position switch
- Switch positions: CLOSED – OPEN – EARTHED
- Manual operating mechanism, optionally motor operating mechanism
- Mechanical “fuse tripped” indicator at the switchgear front

6 HV HRC fuse assembly

- Fuse boxes, 1-pole, below the switchgear vessel
- Fuse slide for easy replacement of HV HRC fuses without tools
- HV HRC fuse-links according to DIN 43625 (main dimensions) with striker in “medium” version according to IEC 60282-1, for short-circuit protection of transformers

7 SiBushing

- Outside-cone bushing type C with integrated sensors for current, voltage, and temperature measuring (option)

8 Cable compartment

- Bushings according to DIN EN 50181 with outside cone and bolted connection M16 as interface type C (standard in cable, ring-main, and circuit-breaker feeders) or with outside cone and plug-in contact as interface type A (standard in transformer feeders)
- Adjustable cable bracket with C-rail, optionally with plastic cable clamps pre-assembled at the factory

Connection of:

- Cable elbow plugs or cable T-plugs
- Thermoplastic-insulated cables (1- and 3-core cables)
- Ring-core current transformers according to IEC 61869-1 and -2, around the cables
- Current sensors according to IEC 61869-10, around the cable plugs or around the cables
- Voltage sensors (resistor divider) according to IEC 61869-11, mounted on the cable plugs
- Surge arresters

9 Enclosure

- Hermetically tight, welded switchgear vessel made of stainless steel
- Enclosure made of sendzimir-galvanized sheet steel, switchgear front powder-coated

10 Dimension options

- Switchgear height 1400 mm (optionally 1040 mm, 1200 mm or 1700 mm)
- Deep cable compartment cover

11 Pressure relief

- Pressure relief downwards
- For further pressure relief versions, see page 34
- Up to IAC A FL 21 kA/1 s or IAC A FLR 21 kA/1 s

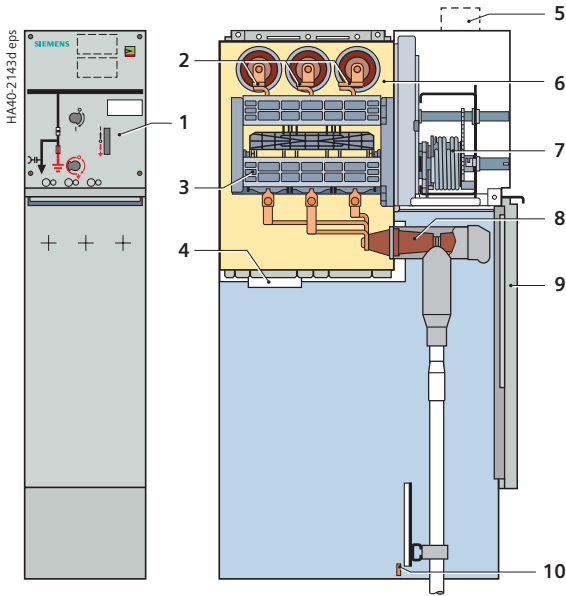
Design

Panel design (examples)

Ring-main feeder

Type R

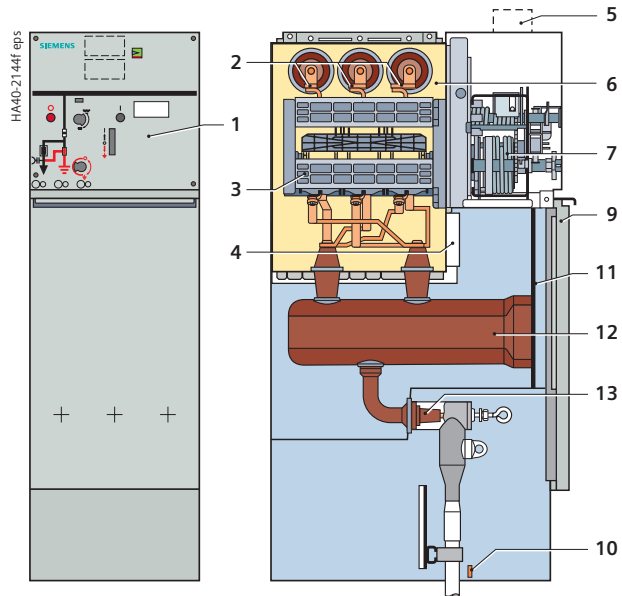
Section



Transformer feeder

Type T

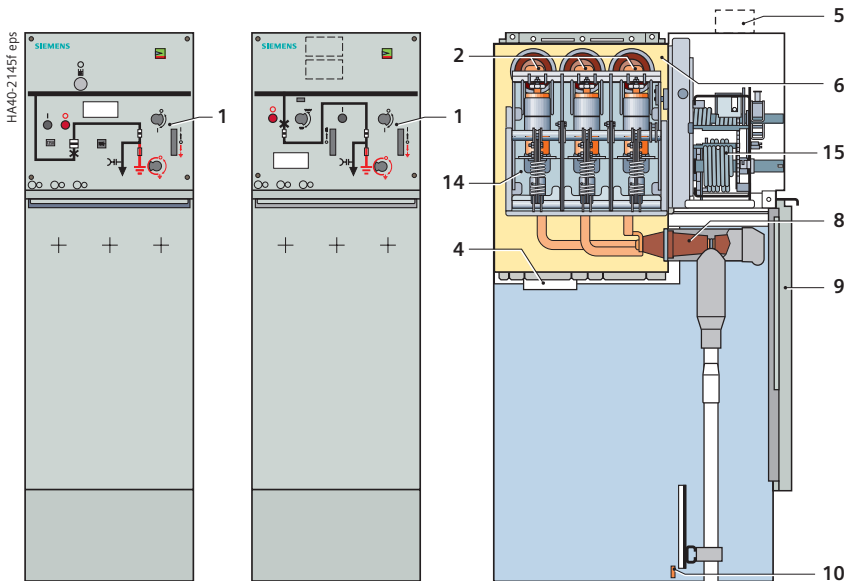
Section



Circuit-breaker feeder

Type L

Section

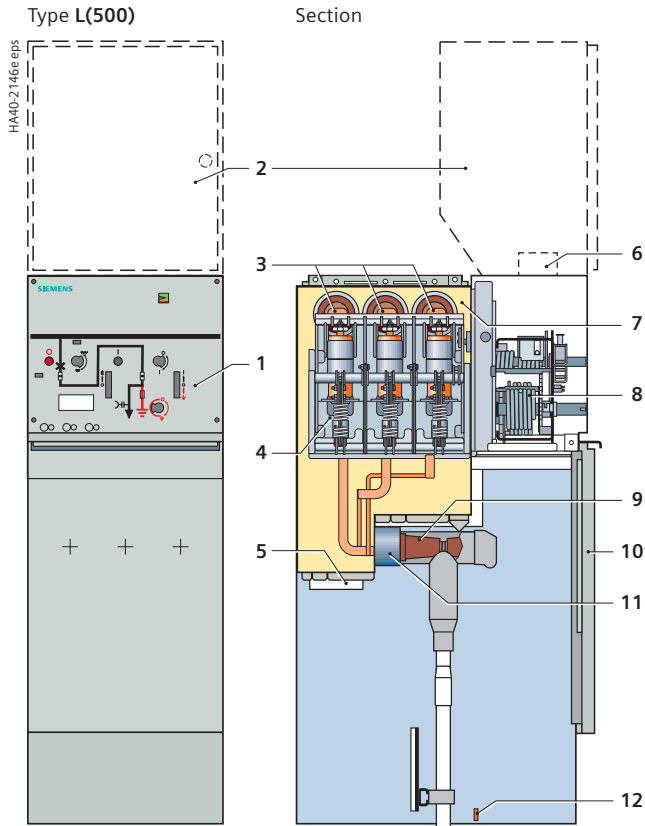


Type 1.1

Type 2

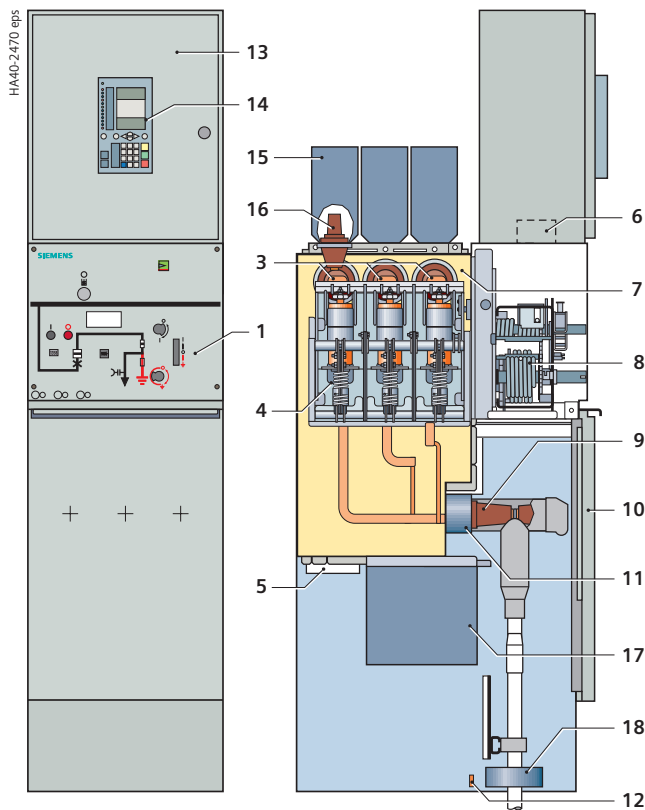
- 1 Control board
- 2 Busbar arrangement
- 3 Three-position switch-disconnector
- 4 Pressure relief device
- 5 Wiring duct, removable, for protection cables and/or bus wires
- 6 Switchgear vessel, filled with gas
- 7 Operating mechanism of switching device
- 8 Bushing for cable plug with bolted contact (M16)
- 9 Cable compartment cover
- 10 Earthing busbar with earthing connection (design option)
- 11 Partition
- 12 HV HRC fuse assembly
- 13 Bushing for cable plug with plug-in contact, optionally bolted contact (M16)
- 14 Vacuum circuit-breaker
- 15 Circuit-breaker operating mechanism, operating mechanism for three-position disconnector

Circuit-breaker feeder



- 1 Control board
- 2 Option: Low-voltage compartment
- 3 Busbar arrangement
- 4 Vacuum circuit-breaker
- 5 Pressure relief device
- 6 Wiring duct, removable, for protection cables and/or bus wires
- 7 Switchgear vessel, filled with gas
- 8 Operating mechanism of switching device
- 9 Bushing for cable plug with bolted contact (M16)
- 10 Cable compartment cover
- 11 Option: Three-phase current transformer (protection transformer)
- 12 Earthing busbar with earthing connection (design option)

Type 2



- 13 Low-voltage compartment (standard) for vacuum circuit-breaker
- 14 Option: SIPROTEC bay controller
- 15 Option: Plug-in voltage transformer 4MT3 on the busbar
- 16 Bushing for connection of plug-in voltage transformers
- 17 Option: Plug-in voltage transformer 4MT3 at the cable connection and voltage transformer earthing device
- 18 Cable-type current transformer

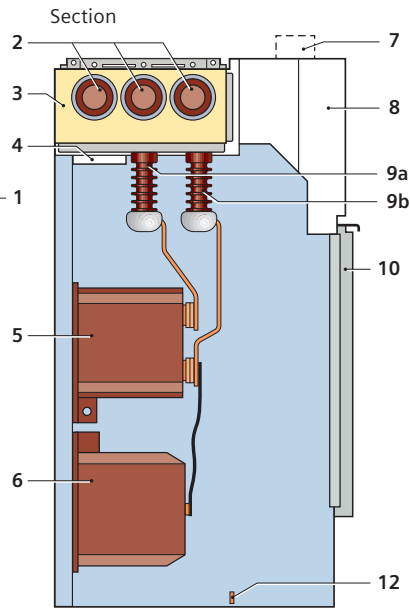
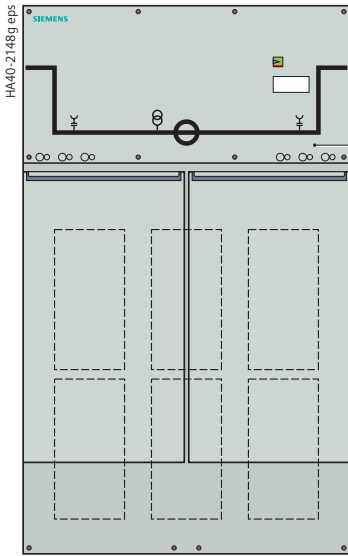
Type 1.1

Design

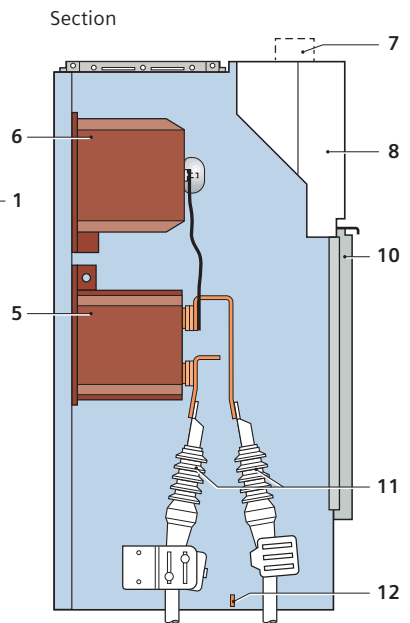
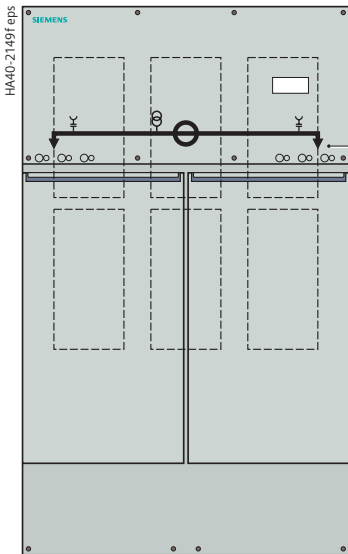
Panel design (examples)

Billing metering panel

Type M, air-insulated



Connection: busbar – busbar



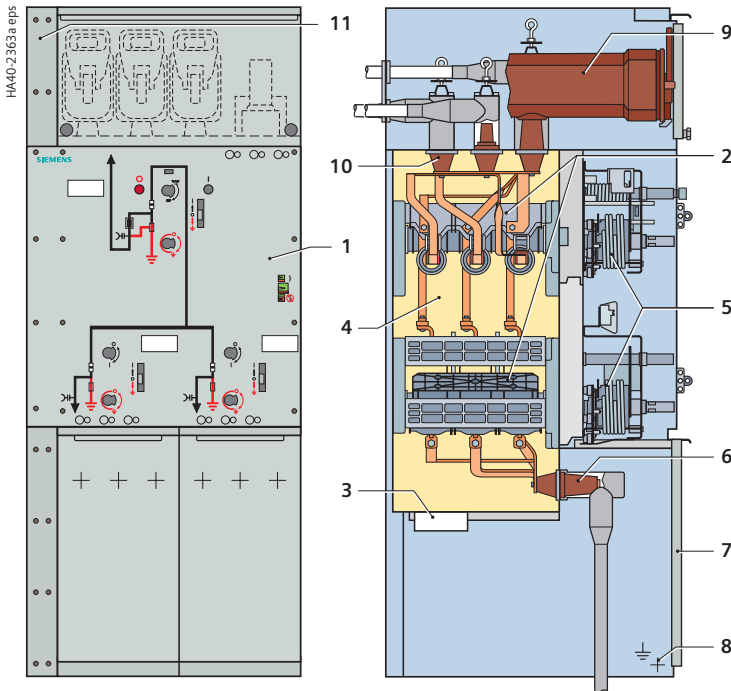
Connection: cable – cable

- 1 Sockets for voltage detecting system
- 2 Busbar connection
- 3 Busbar vessel, filled with gas
- 4 Pressure relief device
- 5 Current transformer type 4MA7
- 6 Voltage transformer type 4MR
- 7 Wiring duct, removable, for protection cables and/or bus wires
- 8 Niche for customer-side low-voltage equipment, screwed cover
- 9 Bushings for connection of transformer bars, connected with busbar extension on the right **9a**, and on the left **9b**
- 10 Instrument transformer compartment cover
- 11 Cable connection
- 12 Earthing busbar with earthing connection

Panel block

Type 8DJH Compact RRT

Section



- 1 Control board
- 2 Three-position switch-disconnector
- 3 Pressure relief device
- 4 Switchgear vessel, filled with gas
- 5 Operating mechanism of switching device
- 6 Bushing for cable plug with bolted contact (M16)
- 7 Cable compartment cover
- 8 Earthing connection
- 9 HV HRC fuse assembly
- 10 Bushing for cable plug with plug-in contact
- 11 Pressure relief duct downwards for transformer feeder (option)

Design

Outdoor enclosure

On request, 8DJH switchgear can be provided with an outdoor enclosure with the following features:

- For outdoor applications on company grounds
- Enclosure attached to standard indoor panels
- Enclosure with three different heights, for 1200 mm switchgear height (optionally with low-voltage compartment as a 200 mm, 400 mm or 600 mm high version), or 1400 mm switchgear height (optionally with low-voltage compartment as a 200 mm or 400 mm high version)
- Enclosure with four different widths for freely configurable, non-extendable switchgear rows up to a switchgear width of 2000 mm
- Internal arc classification IAC A FL or FLR to 21 kA/1 s according to IEC 62271-200
- Degree of protection IP54.



Outdoor enclosure (front closed)



Outdoor enclosure (front open)

Features

- Busbar extension possible on all individual panels and panel blocks (ordering option)
- Plug-in unit consisting of contact coupling and screened silicone coupling
- Insensitive to pollution and condensation
- Switchgear installation, extension, or panel replacement without gas work
- Busbar connections to metering panels are possible.

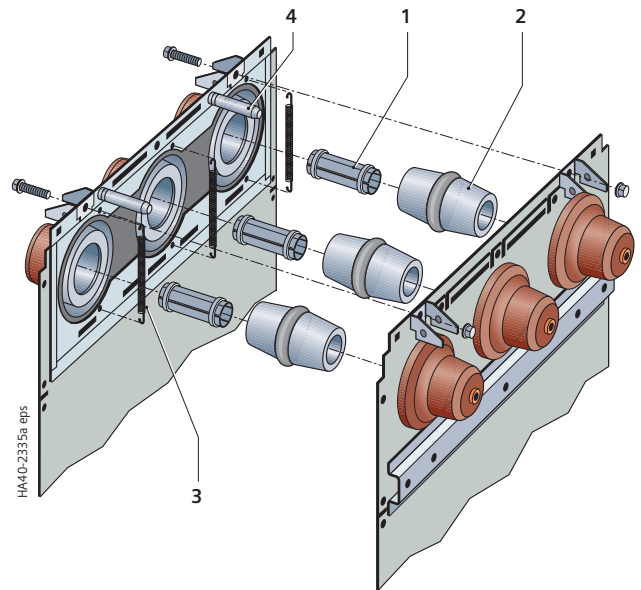
Every panel block and every individual panel is optionally available with busbar extension on the right, on the left, or on both sides. This offers a high flexibility for the creation of switchgear configurations whose functional units can be lined up in any order. Local installation and lining up is done without gas work.

Lining up takes place as follows:

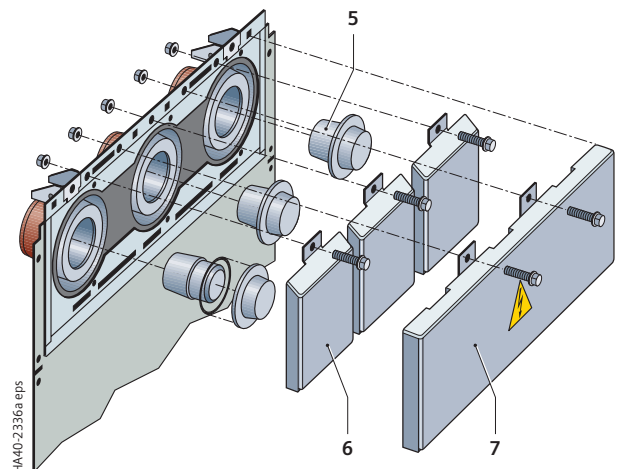
- By the busbar couplings on the medium-voltage side. Tolerances between adjacent panels are compensated by spherical fixed contacts and the movable contact coupling with degrees of freedom in all axis directions.
- By safe dielectric sealing with screened silicone couplings that are externally earthed and adjustable to tolerances. These silicone couplings are pressed on with a defined pressure when the panels are interconnected.
- On free busbar ends, screened dummy plugs are inserted, each of which is pressed on through a metal cover. A common protective cover with a warning is fixed over all three covers.
- By centering bolts for easier switchgear installation and fixing of adjacent panels.
- By bolted panel joints with defined stops for the distances between adjacent panels and the associated pressure for contact pieces and silicone couplings.

Switchgear installation, extension, or the replacement of one or more functional units requires a lateral wall distance ≥ 200 mm.

Interconnecting the panels



Surge-proof termination



- 1 Contact piece
- 2 Silicone coupling
- 3 Tension spring for earthing
- 4 Centering bolt
- 5 Silicone dummy plug with insertable sleeve
- 6 Clamping cover for dummy plugs
- 7 Busbar termination cover

Components

Cable connection with interface type C

Features

- Access to the cable compartment only if the feeder has been disconnected and earthed
- Bushings according to DIN EN 50181 with outside cone and bolted connection M16 as interface type C.

Connection of

- Thermoplastic-insulated cables (1- or 3-core cables) via cable elbow plug or cable T-plug
- Paper-insulated mass-impregnated cables via customary adapters.

Option

- Mounted cable clamps on cable bracket
- Connection of two 1-core cables per phase
- Deep cable compartment cover for a larger available mounting depth (possibly required depending on the plug or arrester combinations).

Cable plugs

- Numerous cable plug types from different manufacturers can be used
- Screened cable plugs (with conductive, earthed layer) particularly suitable, even in harsh ambient conditions (e.g. pollution, humidity, high site altitude)
- Use of insulated cable plugs (without conductive layer) on request.

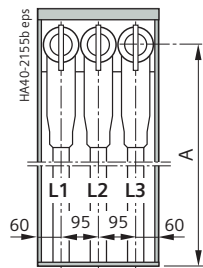
Surge arresters

- Connected directly at the cable T-plug
- Compatible arrester types from the cable manufacturers' product range can be used
- Surge arresters recommended if, at the same time,
 - the cable system is directly connected to the overhead line,
 - the protection zone of the surge arrester at the end tower of the overhead line does not cover the switchgear.

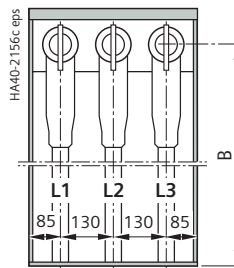
Surge limiters

- Connected directly at the cable T-plug
- Suitable cable plug / limiter combinations on request
- Surge limiters recommended when motors with starting currents < 600 A are connected.

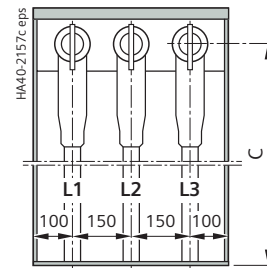
Cable compartment



Panel width 310 mm



Panel width 430 mm



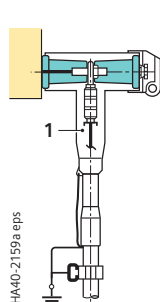
Panel width 500 mm

	Switchgear height without low-voltage compartment ¹⁾	1040 ²⁾	1200	1400 without absorber base frame	1400 with absorber base frame, or 1700
Panel width 310 mm	Typical K, R Typical R (8DJH Compact)	A	500	660	860
Panel width 430 mm	Typical K(E), L	B	–	660	860
Panel width 500 mm	Typical R(500), L(500)	C	–	510	710

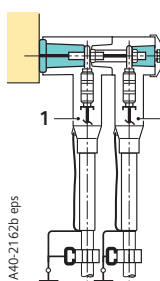
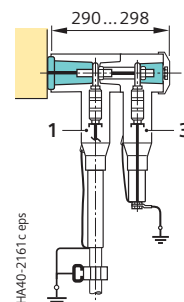
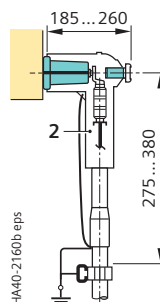
1) Option: With low-voltage compartment

2) Only for panel blocks RR, RRR, RT, RRT and RTR

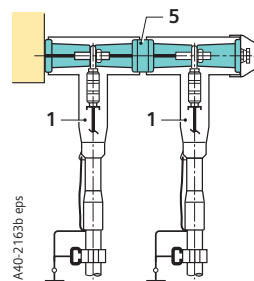
Connection options



Single cable



Double cable



- 1 Cable T-plug
- 2 Cable elbow plug
- 3 Surge arrester
- 4 Coupling T-plug
- 5 Screw-type coupling insert

Features

- Access to the cable compartment only if the feeder has been disconnected and earthed
- Bushings according to DIN EN 50181 with outside cone and plug-in contact as interface type A.

Connection of

- Thermoplastic-insulated cables (1--core cables) via cable elbow plug or cable T-plug.

Option

- Mounted cable clamps on cable bracket
- Bushings according to DIN EN 50181 with outside cone and bolted contact as interface type C for cable routing downwards.

Cable routing

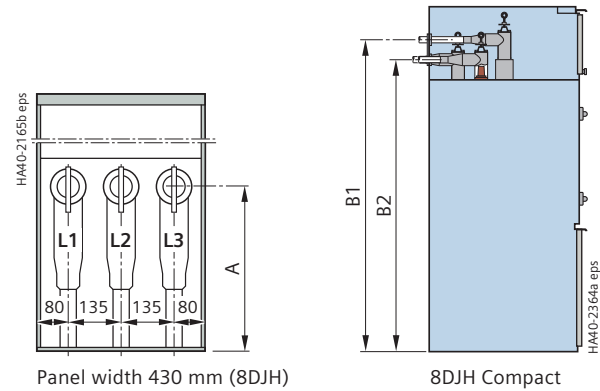
For the cable compartment, different design options can be selected for the arrangement of the feeder bushings and cable entries. In combination with the shape of the cable plugs used, different cable entries can thus be implemented (see opposite illustration).

Cable plugs

- Numerous cable plug types from different manufacturers can be used
- Screened cable plugs (with conductive, earthed layer) particularly suitable, even in harsh ambient conditions (e.g. pollution, humidity, high site altitude)
- Use of insulated cable plugs (without conductive layer) on request.

Panel width 430 mm	Switchgear height without low-voltage compartment ¹⁾		1040 ²⁾	1200	1400 without absorber base frame	1400 with absorber base frame, or 1700
			A	B ₁	B ₂	–
Typical T	A	62	222	422	722	
Typical T	B ₁	–	–	1245	1545	
(8DJH Compact)	B ₂	–	–	1143	1443	

Cable compartment

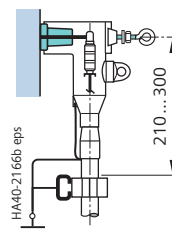


Panel width 430 mm (8DJH)

8DJH Compact

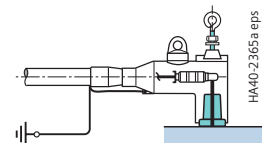
Connection options

8DJH

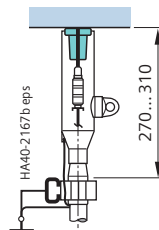


Cable routing downwards with cable elbow plug (standard)

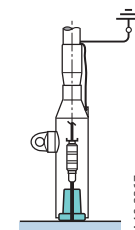
8DJH Compact



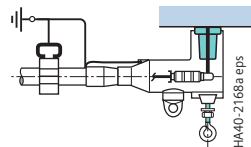
Cable routing to the rear with cable elbow plug (standard)



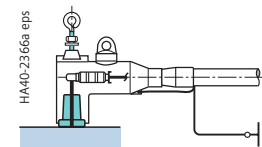
Cable routing downwards with straight plug (option)



Cable routing upwards with straight plug (option)



Cable routing to the rear with cable elbow plug (option)



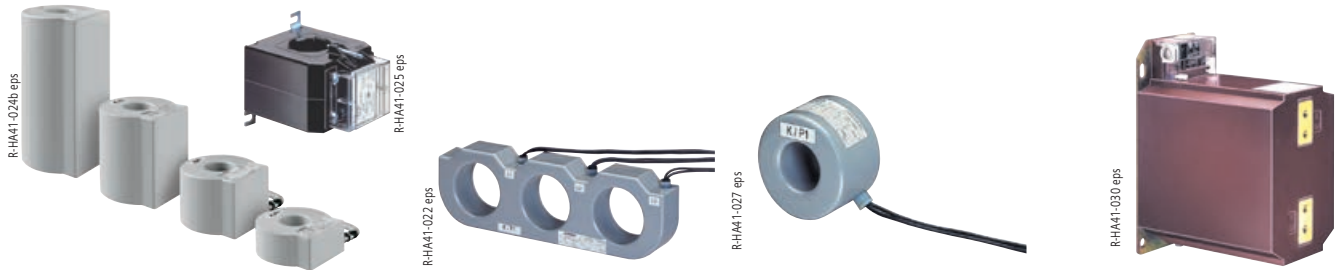
Cable routing to the right with cable elbow plug (option)

1) Option: With low-voltage compartment
2) Only for panel blocks RR, RRR, RT, RRT and RTR

Components

Current transformers, voltage transformers

Current transformers according to IEC/EN 61869-1 and -2



Type	Cable-type current transformer 4MC7033 and 4MC7031 (1-pole)	Three-phase current transformer 4MC63 (3-pole)	Cable-type current transformer 4MC7032 (1-pole)	Block-type current transformer 4MA7 (1-pole)
Features	<ul style="list-style-type: none"> • Ring-core current transformer • Inductive type • Enclosure free of dielectric stress • Insulation class E • Secondary connection by means of cast-in wires or screw-type terminals (for 4MC7031) 			<ul style="list-style-type: none"> • Dimensions according to DIN 42600-8 (narrow design) • Inductive type • Cast-resin insulated • Insulation class E • Secondary connection by means of screw-type terminals
Installation	<ul style="list-style-type: none"> • As current transformer at the feeder (for a panel width of 430 mm and 500 mm, for 4MC7031 also 310 mm): Below the switchgear vessel, on current transformer mounting plates in the cable compartment, around the cables • Installation on the cables on site • <u>Note:</u> Depending on the design option of the panel and the overall height of the current transformer, the current transformers may protrude from the cable compartment downwards 	<ul style="list-style-type: none"> • As current transformer at the feeder (for a panel width of 500 mm): Below the switchgear vessel, around the feeder bushings in the cable compartment • Factory-assembled 	<ul style="list-style-type: none"> • As current transformer at the busbar: Below the switchgear vessel, around the screened busbars that are led out per section (option) in the instrument transformer compartment, factory-assembled • As current transformer at the feeder (for a panel width of 310 mm): Below the switchgear vessel, on current transformer mounting plates in the cable compartment, around the cables; installation on the cables on site • <u>Note:</u> Depending on the design option of the panel and the overall height of the current transformer, the current transformers may protrude from the cable compartment downwards 	<ul style="list-style-type: none"> • In the air-insulated metering panel • Factory-assembled • <u>Option:</u> Installation on site

Voltage transformers according to IEC/EN 61869-1 and -3



Type	4MT3 (1-pole)	4MR (1-pole or 2-pole)
Features	<ul style="list-style-type: none"> • Plug-in voltage transformer for outside-cone bushing type A • Inductive type • Enclosure metal-coated or metal-enclosed (option) and earthed • Insulation class E • Secondary connection by means of system plug 	<ul style="list-style-type: none"> • Dimensions according to DIN 42600-9 (narrow design) • Inductive type • Cast-resin insulated • Insulation class E • Secondary connection by means of screw-type terminals
Installation	<ul style="list-style-type: none"> • As voltage transformer at the busbar or in the busbar voltage metering panel M(430): Above the switchgear vessel at separate outside-cone bushings • As voltage transformer at the feeder: Below the switchgear vessel, in the cable compartment, on separate outside-cone bushings • Factory-assembled 	<ul style="list-style-type: none"> • In the air-insulated metering panel • Factory-assembled • <u>Option:</u> Installation on site

Current sensors (make Zelisko)

The current sensors are inductive current transformers whose secondary winding delivers a voltage signal through a precision shunt. At the rated primary current, this is 225 mV.

Depending on their version, the sensors have a dual accuracy class; the output signal can be equally used for measuring, protection and, if required, earth-fault detection. Suitable secondary devices with low-signal inputs can process the sensor signal directly.



Type	Ring-core current sensor SMCS-JW 1001	Ring-core current sensor SMCS/T-JW 1002, divisible	Three-phase ring-core current sensor SMCS3-JW1004, optionally with integrated earth-fault detection sensor	Ring-core current sensor GAE120 / SENS-JW 1003 for earth-fault detection, divisible
Features	Example for available secondary devices that can be connected: <ul style="list-style-type: none"> SICAM FCM 7SJ81 (SIPROTEC Compact) 7SY82 			
Installation	<ul style="list-style-type: none"> As current sensor at the feeder: Below the switchgear vessel, in the cable compartment, around the cables or cable plugs Installation on the cables or cable plugs on site 	<ul style="list-style-type: none"> As current sensor at the feeder (particularly for retrofitting): Below the switchgear vessel, in the cable compartment, around the cables Installation on the cables on site 	<ul style="list-style-type: none"> As current sensor at the feeder (for a panel width of 310 mm): Below the switchgear vessel, around the feeder bushings in the cable compartment Factory-assembled 	<ul style="list-style-type: none"> As summation current sensor at the feeder: Below the switchgear vessel, in the cable compartment, around the cables Installation on the cables on site

Voltage sensors (make Zelisko)

The voltage sensors are resistor dividers that provide an output signal of $3.25 V / \sqrt{3}$ at the rated primary voltage. Suitable secondary devices with low-signal inputs can process the sensor signal directly.



Type	Voltage sensor SMVS-UW1001	Voltage sensor SMVS-UW1002
Features	Example for available secondary devices that can be connected: <ul style="list-style-type: none"> SICAM FCM 7SJ81 (SIPROTEC Compact) 7SY82 	
Installation	<ul style="list-style-type: none"> As voltage sensor at the feeder: Below the switchgear vessel, in the cable compartment, mounted on the cable plugs Installation on the cable plugs on site <u>Note:</u> Voltage sensors of different design options can be selected, matching with the corresponding cable plug type 	

Components

SiBushing

SiBushing

As an alternative to the conventional cable connection bushings, the bushing type SiBushing from Siemens is available for cable, ring-main and circuit-breaker feeders. It delivers current and voltage values in low-signal technology, as well as values for temperature measurement directly from the cable connection to modern protection devices and indicators.



Type		SiBushing
Panel types		K, K(E), R, L
Cable connection		Outside cone type C according to EN 50181, welded into the switchgear vessel
Voltage detecting and indicating systems		Connection for capacitive voltage detecting and indicating systems according to IEC 62271-213
Current measuring	Standard	IEC 61869-10
	Sensor principle	Rogowski coil
	Output signal	22.5 mV (at 50 A / 50 Hz)
	Class	0.5
Voltage measuring	Standard	IEC 61869-11
	Sensor principle	Capacitive divider
	Ratio	10000/1
	Class	0.5
Temperature measuring	Sensor principle	Measuring resistor
	Resistor type	Pt100
Features		Examples for available secondary devices that can be connected: <ul style="list-style-type: none"> • SICAM FCM (design option for SiBushing) • 7SY82

Time fuse-link protection system

The time fuse-link protection system in accordance with the TS 12-6 British ENA specification is a simple protection system for protection of medium-voltage transformers with circuit-breakers.

Mode of operation

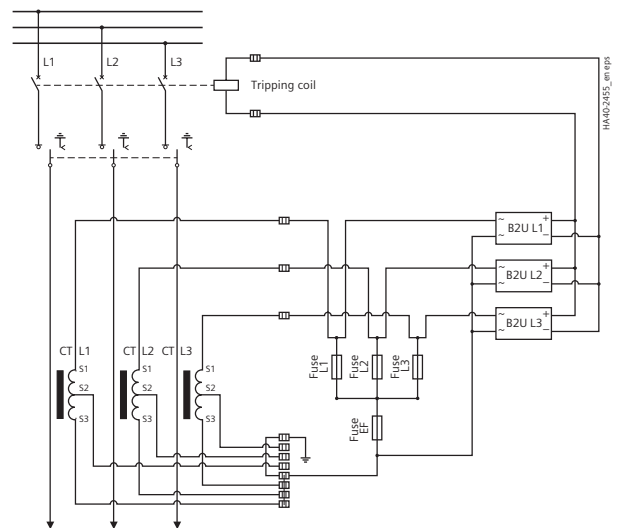
In undisturbed operation, the ring-core current transformers of the protection system are short-circuited on the secondary side via type XF low-voltage fuses. In the case of a fault, the fuses are tripped and commutate the secondary current directly on the tripping coil of the circuit-breaker. The switching device disconnects the fault. The selection of fuses is made based on the fuse protection table for the protection system.

Application

- For transformers with the connection symbol Dyn with the following power ratings:
 - Operating voltage 6.6 kV: ≤ 1000 kVA
 - Operating voltage 11 kV: ≤ 1250 kVA
 - Additional values on request
- For short-circuit and earth-fault protection
- For circuit-breaker type 2 with specially adapted low-energy release
- Installation in the front operating mechanism box of the panel.



Time fuse-link



Circuit diagram of the time fuse-link

Components

Low-voltage compartment, low-voltage niche

Features

- Separate selection possible for every panel (depending on the panel type and the extent of the secondary equipment)
- Available overall heights 200 mm, 400 mm, 600 mm and 900 mm
- Mounted on the panel. Installation/removal possible on site
- Customer-specific equipping with protection, control, measuring and metering devices
- Door with hinge on the left (standard for heights of 400, 600 and 900 mm)
- Door powder-coated (same color as the switchgear front), with hinge on the left, optionally with hinge on the right, closure with rotary lock
 - **Option:** (for an overall height of 200 mm)
Bolted front cover for narrow spaces, e.g. in substations without control aisle, powder-coated (same color as the switchgear front).

Low-voltage cables

- Control cables of the panel to the low-voltage compartment via multi-pole, coded module plug connectors
- **Option:** Plug-in bus wires from panel to panel in the separate wiring duct on the panel.

Low-voltage niche

- Integrated in the panel front of the billing metering panels type M
- With bolted front cover
- For accommodation of options, e.g.:
 - Voltage transformer m.c.b.s
 - Small distribution fuse-box and fuse-links type DIAZED or NEOZED.

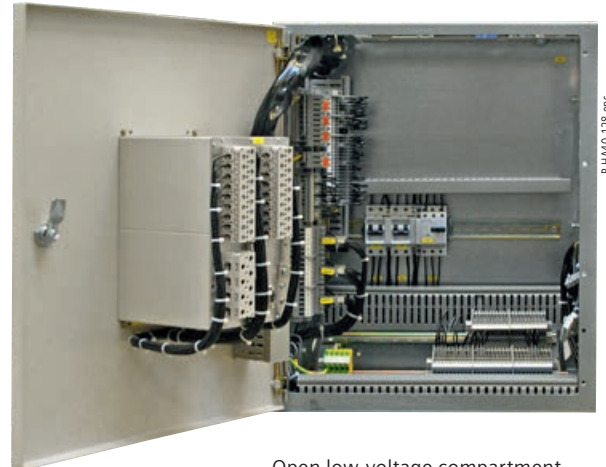
Wiring duct

- Metallic duct, mounted on the panel
- Overall height 60 mm
- For panel-overlapping wiring
- Can be selected for panels without low-voltage compartment.

Top cover

- Cover made of powder-coated sheet-metal (same color as the switchgear front), mounted on the panel
- Overall height 200 mm, 400 mm, 600 mm or 900 mm
- For height adjustment of the panel front
- Can be selected for panels without low-voltage compartment.

Low-voltage compartment (example 500 × 600 mm)



Open low-voltage compartment with built-in equipment (option)

Low-voltage niche



Low-voltage niche of a billing metering panel type M, open cover

- 1 Low-voltage niche
- 2 Built-in equipment (option)

Switchgear installation

Wall-standing arrangement

- 1 row
- 2 rows (for face-to-face arrangement)

Option: Free-standing arrangement.

Pressure relief

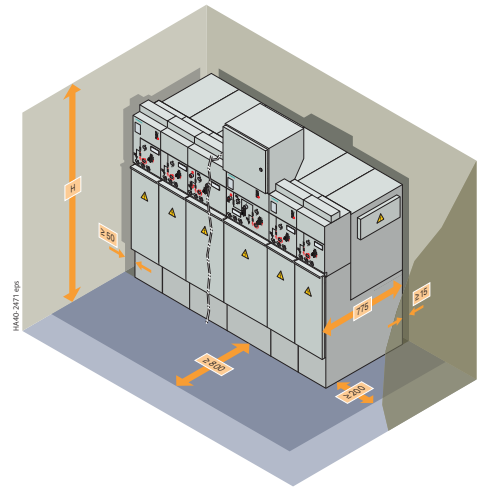
The type of pressure relief selected has an effect on the switchgear depth, and places requirements on the size of the cable basement and/or the room height. In case of pressure relief upwards, the room heights reproduced in the type test are decisive for the internal arc classification according to IEC 62271-200 (see table on page 34).

Switchgear extension or panel replacement

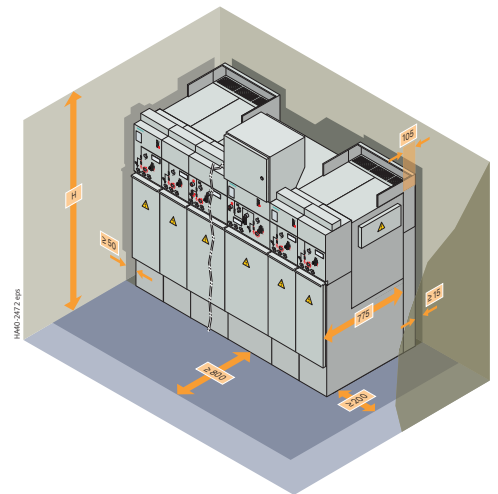
For switchgear extension or for panel replacement, a control aisle of at least 1000 mm is recommended in front of the switchgear. For panel replacement of lined up panels, there must be a wall distance of at least 200 mm on one side.

Control aisle

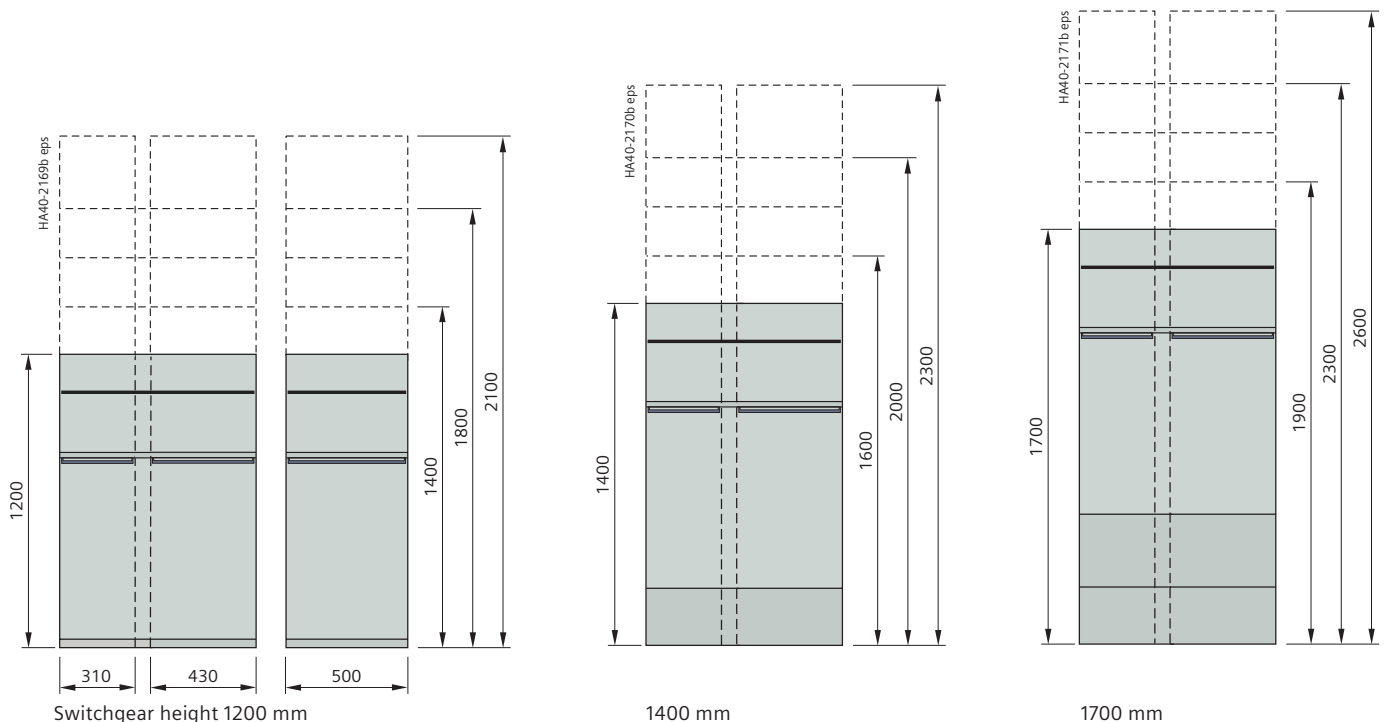
In front of the switchgear, a control aisle of at least 800 mm is required according to IEC 62271-200.



Switchgear without rear pressure relief duct



Switchgear with rear pressure relief duct



Dimensions

Pressure relief

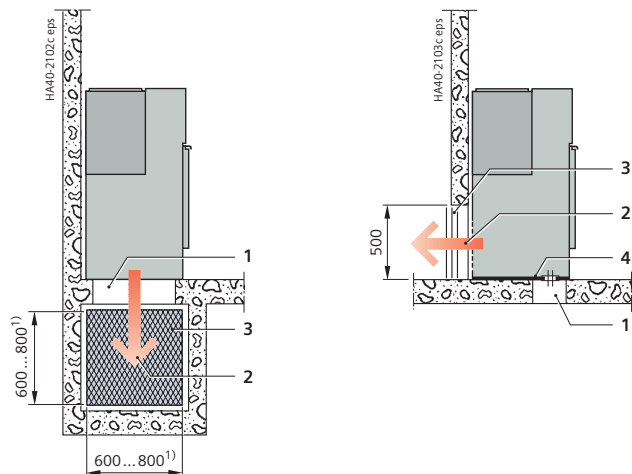
The following type-tested versions of the pressure relief system are available for 8DJH switchgear:

- Downwards into the cable basement (for individual panels and panel blocks, internal arc classification up to IAC A FL 21 kA/1 s or IAC A FLR 21 kA/1 s, minimum cross-section of the cable basement according to the illustration below)
- To the rear (for non-extendable panel blocks with 1400 or 1700 mm switchgear height, internal arc classification up to IAC A FL 21 kA/1 s, a rear pressure relief outlet with a minimum cross-section of 1 m² is required in the switchgear room and must be supplied by the site)
- Upwards through rear pressure relief duct (for extendable and non-extendable panel blocks, internal arc classification up to IAC A FL 16 kA/1 s, minimum room heights according to the table below), with pressure absorber system
- Upwards through base frame and rear pressure relief duct (for individual panels and panel blocks, internal arc classification up to IAC A FL 21 kA/1 s and IAC A FLR 21 kA/1 s, minimum room heights according to the table below), with pressure absorber system.

Room heights for switchgear installation with pressure relief duct at the rear (design with or without base frame)

Switchgear height	Room height
1400 mm	≥ 2000 mm
1700, 1800 mm	≥ 2200 mm
2300 mm	≥ 2400 mm
2600 mm	≥ 2700 mm

Switchgear installation with pressure relief downwards (standard) or to the rear (option)

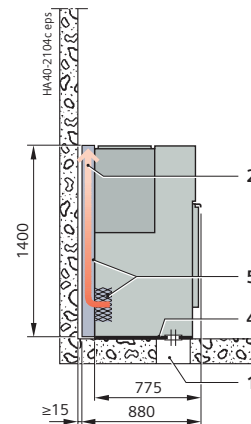


Side view

Side view

1) Total opening minimum 0.48 m²

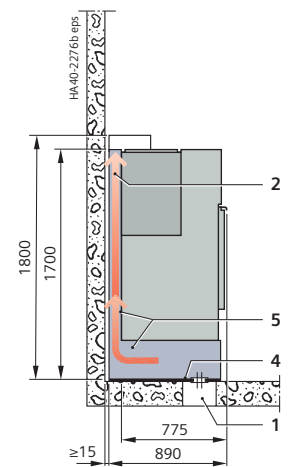
Switchgear installation with rear pressure relief duct (option) for panel blocks with IAC A FL or FLR up to 16 kA/1 s



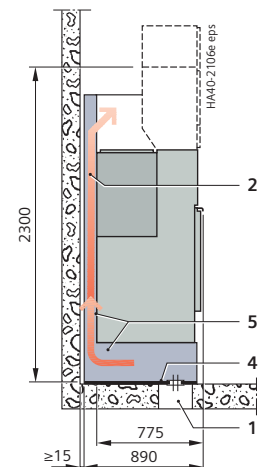
Side view

- 1 Floor opening
- 2 Direction of pressure relief
- 3 Expanded metal (supplied by site)
- 4 Floor cover (divided plate for comfortable working at the cable connection)
- 5 Pressure absorber system with pressure relief duct

Switchgear installation with base frame and rear pressure relief duct (option) for panel block with IAC A FL or FLR up to 21 kA/1 s



Side view, wall-standing arrangement without metering panel



Side view, free-standing arrangement, also metering panel for wall-standing arrangement

For 8DJH with outdoor enclosure (option), the direction of the pressure relief can be selected as follows:

- Downwards into the cable basement (internal arc classification up to IAC A FL or FLR 21 kA/1 s, minimum cross-section of the cable basement according to the illustration below)
- To the rear (internal arc classification up to IAC A FL 21 kA/1 s; for wall-standing arrangement, a rear pressure relief outlet with a minimum cross-section of 1 m² is required and must be supplied by the site)
- Upwards through rear pressure relief duct (internal arc classification up to IAC A FL or FLR 21 kA/1 s, free space above the switchgear 600 mm as a minimum).

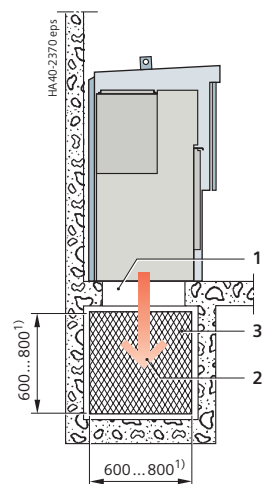
The dimensions for wall distances, control aisles, and cable basements correspond to those of the 8DJH Standard design. The outdoor enclosure is conceived for application on company grounds.

For 8DJH Compact, the following types of pressure relief can be selected:

- Downwards into the cable basement for all feeders (internal arc classification up to IAC A FL or FLR 21 kA/1 s)
- Downwards into the cable basement for the ring-main feeders, and to the rear for the transformer feeders (internal arc classification up to IAC A F 21 kA/1 s)
- Upwards through base frame and rear duct (internal arc classification up to IAC A FL 21 kA/1 s)
- To the rear through base frame (internal arc classification up to IAC A FL 21 kA/1 s).

The dimensions for wall distances, control aisles, and cable basements correspond to those of the 8DJH Standard design. The pressure relief to the rear was tested with a rear wall distance of ≥ 3 m. This design is recommended for application in prefabricated substations without control aisle, with internal arcing test according to IEC 62271-202.

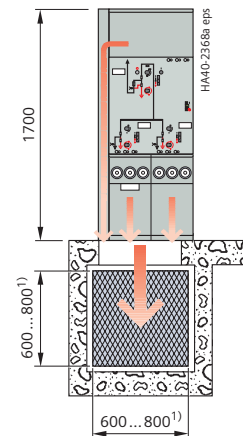
Switchgear installation for outdoor enclosure with pressure relief downwards



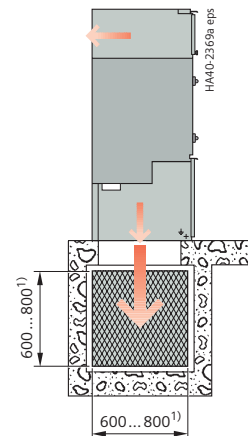
Side view

- 1 Floor opening
- 2 Direction of pressure relief
- 3 Expanded metal (supplied by site)
- 4 Floor cover (divided plate for comfortable working at the cable connection)
- 5 Pressure absorber system with pressure relief duct

Switchgear installation for 8DJH Compact with pressure relief downwards for all feeders (standard) or downwards for ring-main feeders, and to the rear for transformer feeders (option)

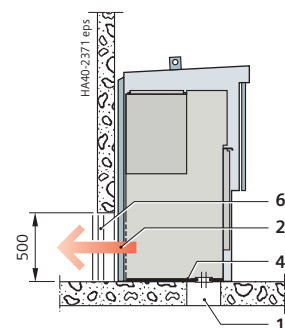


Front view

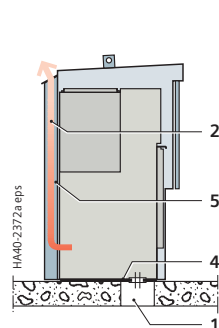


Side view

Switchgear installation for outdoor enclosure with pressure relief to the rear or upwards through rear duct

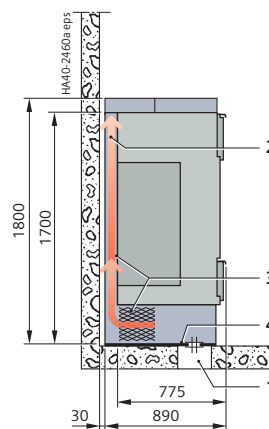


Side view

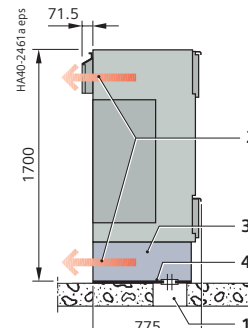


Side view

Switchgear installation for 8DJH Compact with pressure relief upwards through base frame and rear duct (option) or with pressure relief to the rear through base frame (option)



Side view



Side view

**Published by
Siemens AG**

Smart Infrastructure
Electrification & Automation
Mozartstraße 31 C
91052 Erlangen, Germany

For further information, please contact our Customer
Support Center:

Phone +49 180 524 70 00

Fax +49 180 524 24 71

support.energy@siemens.com

siemens.com/medium-voltage-switchgear

siemens.com/8DJH

Article No. SIDS-C10096-00-7600

VO 212678 en KG 07.22 0.0

Smart Infrastructure combines the real and digital worlds across energy systems, buildings and industries, enhancing the way people live and work and significantly improving efficiency and sustainability.

We work together with customers and partners to create an ecosystem that both intuitively responds to the needs of people and helps customers achieve their business goals.

It helps our customers to thrive, communities to progress and supports sustainable development to protect our planet for the next generation.

[siemens.com/smart-infrastructure](https://www.siemens.com/smart-infrastructure)

**Medium-
voltage
systems**



Status 07/2022

Subject to changes and errors. The information given in this document only contains general descriptions and/or performance features which may not always specifically reflect those described, or which may undergo modification in the course of further development of the products. The requested performance features are binding only when they are expressly agreed upon in the concluded contract.

© Siemens 2022